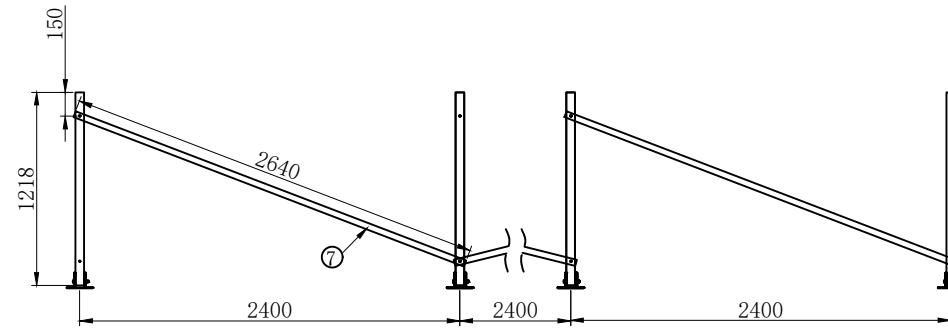
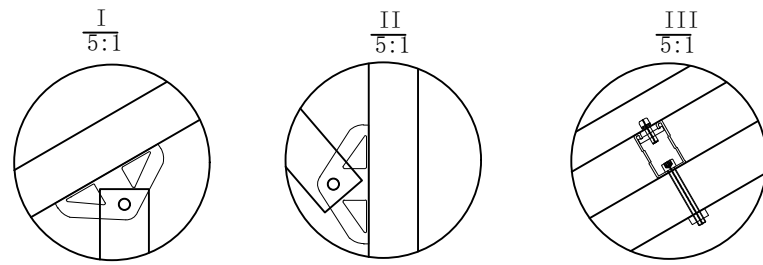
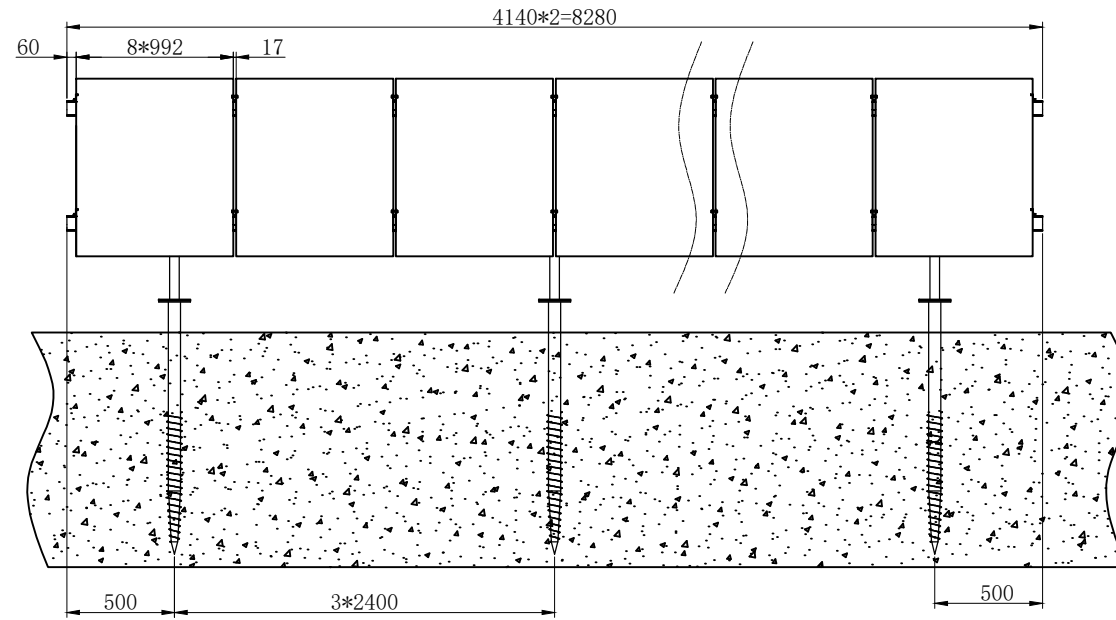
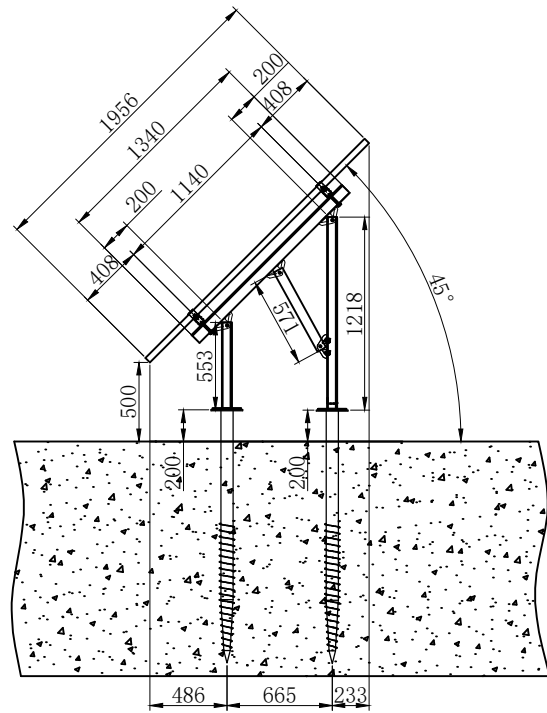


1x8x1



7	Ground Screw	φ76*1600	8	Q235B
6	Tub Suppor	L2640	3	AL/6005-T5
5	Mid Clamp(40mm)	L40	14	AL/6005-T5
4	End Clamp(40mm)	L40	4	AL/6005-T5
3	C rail connector	L200	2	Q235B
2	C Rail	L4140	4	Q235B
1	Cross Beam	L1340	4	Q235B
序号 Item	产品名称 Part Name	规格 Spec.	数量 Qty	材质 Material

Angel: 45°
 Wind Speed (m/s): 21.4m/s
 Snow Load (KN/m²): 90cm
 Panel Size: 1640*992*40
 Array: 1*8=8
 QTY: 1